

# POWERCAP™

POWER FACTOR CORRECTION CAPACITORS



*Serving you since 1948*



# POWERCAP™

POWER FACTOR CORRECTION CAPACITORS

- ▶ *20 year continuous duty design life*
- ▶ *3 phase construction with 3 phase pressure interrupter system*
- ▶ *Dry type or liquid type cells available*
- ▶ *Floor and/or wall mounting brackets integral with enclosure*
- ▶ *UL and CSA listed*

## FEATURES AND SPECIFICATIONS

### CAPACITORS CELLS

#### Construction :

Self healing, low loss metallized polypropylene dielectric film.  
Less than .2 Watt per KVAR losses.

Dielectric wax is used for PSD dry type cells and non-PCB biodegradable fluid for PSP wet cells.

UL listed pressure activated circuit interrupter rated for 10,000 AFC.

Discharge resistors to reduce residual voltage to less than 50V in one minute.

Operating temperature of -40°F (-40°C) to 115°F (46°C).

#### Powercap Ratings :

240V, up to 200 KVAR, 3 ph.

480V, up to 400 KVAR, 3 ph.

600V, up to 400 KVAR, 3 ph.

Special ratings (frequency, voltage and KVAR) available on request

### ENCLOSURES

#### Construction :

Code gage steel with baked powder paint.

All standard units have provision for either floor and/or wall mounting.

Standard enclosure is Nema 1 and 12. Nema 3 and 4X enclosure can be provided upon request.

Easy access to line and ground lugs through an 'L' shaped cover.

Optional current limiting fuses are available with 100,000 to 200,000 AIC.

Optional blown fuse pilot lights can be provided in either "on all the time" or "off all the time" configurations.

#### Other options available :

- Contactor mains
- Iron core chokes - reactor for harmonic filtering
- Single phase
- Any special features

*Please consult factory*



# POWERCAP – DIMENSIONAL DATA

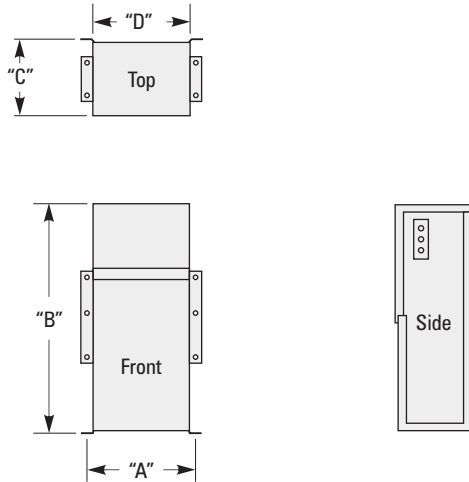
Dimensions listed are for standardized units / only without options – Consult factory for dimensions with options.

KVAR	240V Cat #	Current (amps)	Weight (lbs)	KVAR	480V Cat #	Current (amps)	Weight (lbs)	KVAR	600V Cat #	Current (amps)	Weight (lbs)
1	PS2P1A	2.4	12	1	PS4P1A	1.2	12	1	PS6P1A	1.0	12
1.5	PS2P1.5A	3.6	13	1.5	PS4P1.5A	1.8	12	1.5	PS6P1.5A	1.4	12
2	PS2P2A	4.8	13	2	PS4P2A	2.4	12	2	PS6P2A	1.9	12
2.5	PS2P2.5A	6.0	13	2.5	PS4P2.5A	3.0	13	2.5	PS6P2.5A	2.4	13
3	PS2P3A	7.2	14	3	PS4P3A	3.6	13	3	PS6P3A	2.9	13
4	PS2P4A	9.6	14	4	PS4P4A	4.8	13	4	PS6P4A	3.8	13
5	PS2P5A	12.0	15	5	PS4P5A	6.0	14	5	PS6P5A	4.8	14
6	PS2P6A	14.4	15	6	PS4P6A	7.2	14	6	PS6P6A	5.8	14
7.5	PS2P7.5A	18.0	20	7.5	PS4P7.5A	9.0	14	7.5	PS6P7.5A	7.2	14
8	PS2P8A	19.2	29	8	PS4P8A	9.6	28	8	PS6P8A	7.7	28
9	PS2P9A	21.7	29	9	PS4P9A	10.8	29	9	PS6P9A	8.7	29
10	PS2P10A	24.1	22	10	PS4P10A	12.0	15	10	PS6P10A	9.6	15
11	PS2P11B	26.5	30	11	PS4P11A	13.2	18	11			
12.5	PS2P12.5B	30.1	30	12.5	PS4P12.5A	15.0	19	12.5	PS6P12.5A	12.0	19
15	PS2P15B	36.1	31	15	PS4P15A	18.0	20	15	PS6P15A	14.4	20
17.5	PS2P17.5B	42.1	32	17.5	PS4P17.5A	21.0	20	17.5	PS6P17.5A	16.8	20
20	PS2P20B	48.1	34	20	PS4P20A	24.1	21	20	PS6P20A	19.2	21
22.5	PS2P22.5C	54.1	40	22.5	PS4P22.5A	27.1	22	22.5	PS6P22.5A	21.7	22
25	PS2P25C	60.1	41	25	PS4P25A	30.1	23	25	PS6P25A	24.1	23
27.5	PS2P27.5C	66.2	43	27.5	PS4P27.5B	33.1	25	27.5	PS6P27.5B	26.5	25
30	PS2P30C	72.2	45	30	PS4P30B	36.1	26	30	PS6P30B	28.9	26
32.5	PS2P32.5D	78.2	46	32.5	PS4P32.5B	39.1	26	32.5	PS6P32.5B	31.3	26
35	PS2P35D	84.2	47	35	PS4P35B	42.1	27	35	PS6P35B	33.7	27
37.5	PS2P37.5D	90.2	48	37.5	PS4P37.5B	45.1	27	37.5	PS6P37.5B	36.1	27
40	PS2P40D	96.2	50	40	PS4P40B	48.1	28	40	PS6P40B	38.5	28
42.5	PS2P42.5E	102.2	60	42.5	PS4P42.5B	51.1	28	42.5	PS6P42.5B	40.9	28
45	PS2P45E	108.3	62	45	PS4P45B	54.1	29	45	PS6P45B	43.3	29
50	PS2P50E	120.3	64	50	PS4P50B	60.1	29	50	PS6P50B	48.1	29
55				55	PS4P55C	66.2	33	55	PS6P55C	52.9	33
60	PS2P60E	144.3	68	60	PS4P60C	72.2	34	60	PS6P60C	57.7	34
65				65	PS4P65C	78.2	36	65	PS6P65C	62.5	36
70	PS2P70G	168.4	75	70	PS4P70C	84.2	37	70	PS6P70C	67.4	37
75	PS2P75G	180.4	78	75	PS4P75C	90.2	38	75	PS6P75C	72.2	38
80	PS2P80G	192.5	80	80	PS4P80D	96.2	40	80	PS6P80D	77.0	40
85				85	PS4P85D	102.2	42	85	PS6P85D	81.8	42
90	PS2P90G	216.5	84	90	PS4P90D	108.3	43	90	PS6P90D	86.6	43
100	PS2P100G	240.6	86	100	PS4P100D	120.3	44	100	PS6P100D	96.2	44
120	PS2P120M	288.7	165	120	PS4P120E	144.3	46	120	PS6P120E	115.5	46
125	PS2P125M	300.7	170	125	PS4P125E	150.4	48	125	PS6P125E	120.3	48
140	PS2P140M	336.8	180	140	PS4P140E	168.4	49	140	PS6P140E	134.7	49
150	PS2P150M	360.8	185	150	PS4P150E	180.4	50	150	PS6P150E	144.3	50
160	PS2P160M	384.9	190	160	PS4P160G	192.5	72	160	PS6P160G	154.0	72
175	PS2P175M	421.0	210	175	PS4P175G	210.5	74	175	PS6P175G	168.4	74
180	PS2P180M	433.0	215	180	PS4P180G	216.5	75	180	PS6P180G	173.2	75
200	PS2P200M	481.1	220	200	PS4P200G	240.6	76	200	PS6P200G	192.5	76
225				225	PS4P225G	270.6	79	225	PS6P225G	216.5	79
250				250	PS4P250G	300.7	83	250	PS6P250G	240.6	83
300				300	PS4P300M	360.8	170	300	PS6P300M	288.7	170
350				350	PS4P350M	421.0	180	350	PS6P350M	336.8	180
400				400	PS4P400M	481.1	195	400	PS6P400M	384.9	195

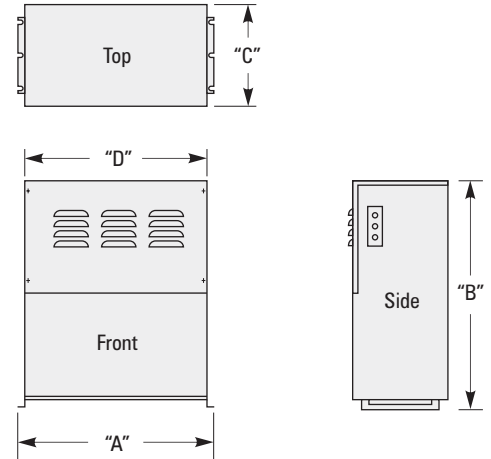
OPTIONS	3 PILOT LIGHTS	ADD SUFFIX L (STANDARD IS LIGHTS OFF, IF LIGHTS ON ALL THE TIME REQUIRED, ADD "ON" SUFFIX
	3 FUSES	ADD SUFFIX F
	NEMA 3 ENCLOSURE	ADD SUFFIX 3
	DRY FILLED CELLS	CHANGE P (4TH DIGIT OF CAT #) TO D
	OTHER RATINGS	CONSULT FACTORY (208V, 380V, 440V, 700V OR OTHER)
	OTHER SIZES	CONSULT FACTORY

# POWERCAP – CAPACITOR CASES

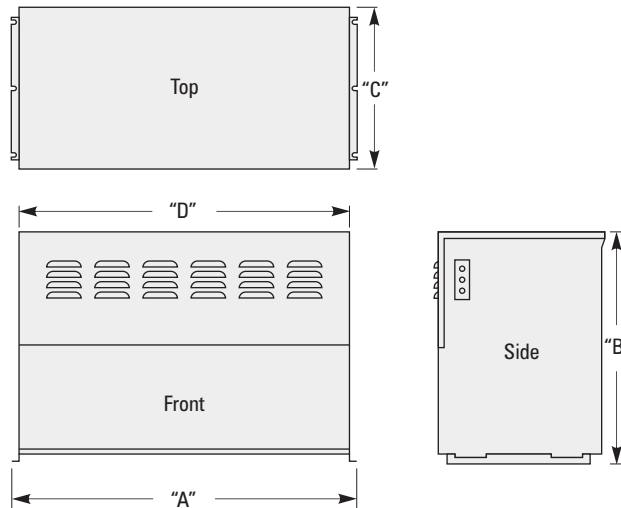
## SIZE CODE: A, B, C, D & E



## SIZE CODE: G



## SIZE CODE: M



## DIMENSIONS

SIZE CODE	NO. CELLS	WDwb "A"	HT "B"	DP "C"	WD "D"
A	1	9	21	5½	7
B	2	11¾	21	7	9¾
C	3	16¾	21	7	14¾
D	4	14¾	21	10¼	12¾
E	5 & 6	16¾	22½	13	14¾
G	7-10	25¾	23¾	12¾	24
M	11-20	33	26½	19¾	31



**CANADIAN HEAD OFFICE**  
 7880 TransCanada Highway  
 Montréal, Qc. Canada H4T 1A5  
 Tel.: (514) 333-8392  
 Fax: (514) 333-8395  
 E-mail: [info@powersurvey.com](mailto:info@powersurvey.com)  
 Website: [www.powersurvey.com](http://www.powersurvey.com)

**U.S.A. HEAD OFFICE**  
 Cumming, GA 30040  
 Tel.: (877) 333-8392  
 E-mail: [info@powersurvey.com](mailto:info@powersurvey.com)  
 Website: [www.powersurvey.com](http://www.powersurvey.com)

**DISTRIBUTED BY:**