



**FIBOX – Solutions for demanding environments**



## Fibox ALU

ALU enclosures provide rigid construction, high impact resistance and they can be used at a wide range of operating temperatures. They provide excellent protection against petroleum, hydraulic oils, alcohols and solvents. Aluminum enclosures are electrically conductive. EMC shielding with optional special gasket.



# ALU



**Good resistance to chemical attack (painted)**



**Wall mounting holes outside gasket area: maintaining water tight seal**



**RoHS compliant and halogen-free**

# ALU

## ALU 0505

2 x 1.8

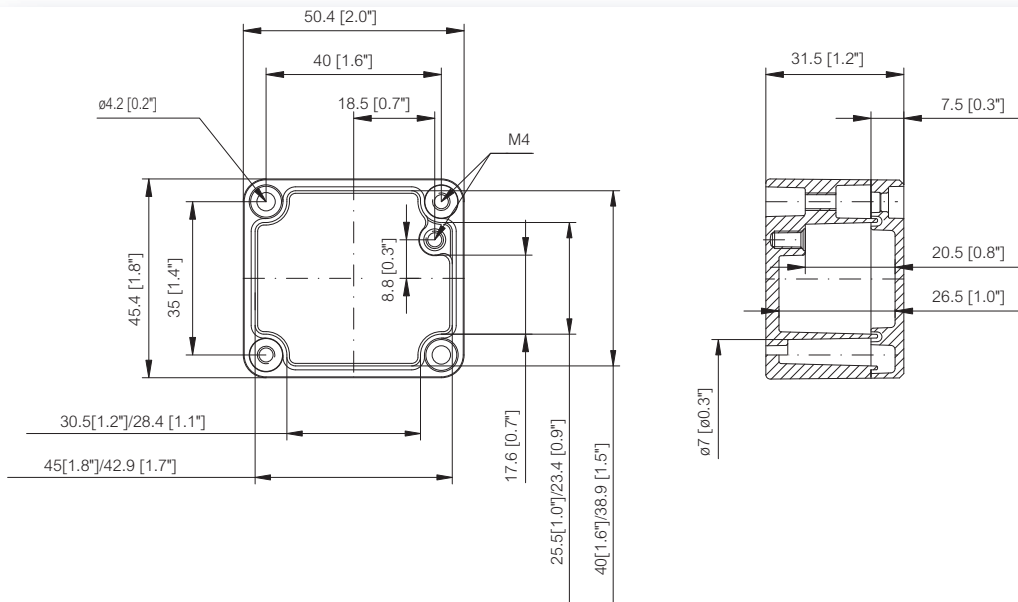
UL Type 1, 4, 4X, 12 or 13



Including: Base with screws for mounting plate/DIN-rail, cover with PUR gasket and ferritic stainless steel cover screws.

### Enclosures

Order symbol	Order symbol UL	Dimensions inch	Dimensions mm	Description
AL 050503	UL AL 050503	2 x 1.8 x 1.3	50 x 45 x 32	Aluminum enclosure





# ALU

## ALU 0606

2.6 x 2.4

UL Type 1, 4, 4X, 12 or 13

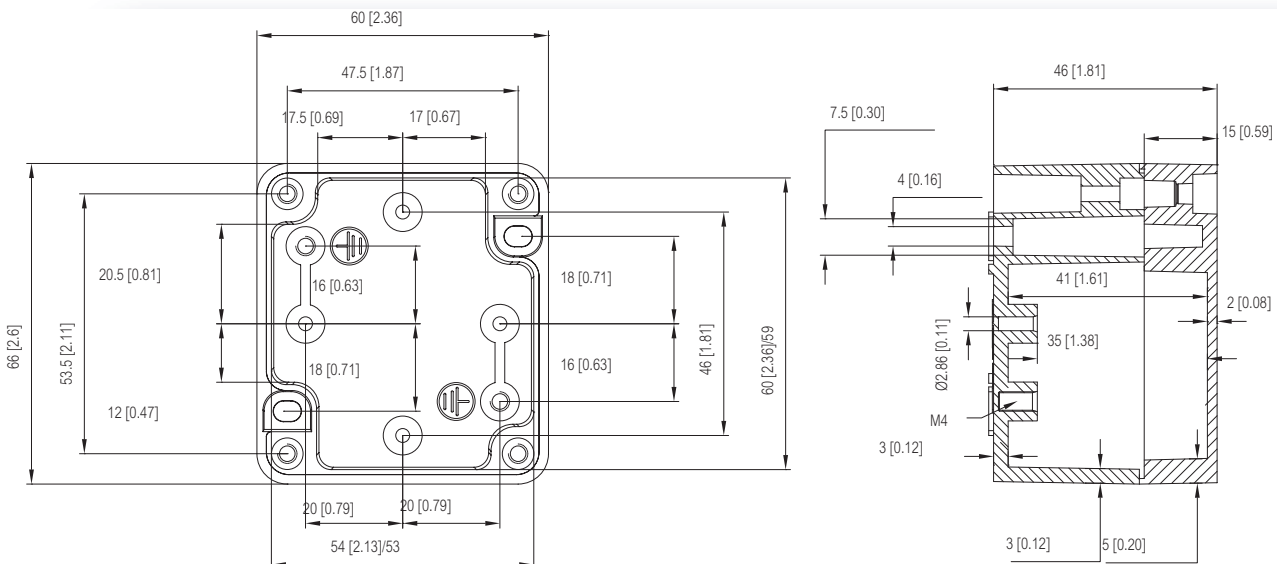
Including: Base with screws for mounting plate/DIN-rail, cover with PUR gasket and ferritic stainless steel cover screws.

### Enclosures

Order symbol	Order symbol UL	Dimensions inch	Dimensions mm	Description
ALN 060605	UL ALN 060605	2.6 x 2.4 x 1.8	66 x 60 x 46	Aluminum enclosure

### Accessories

Order symbol	Dimensions inch	Dimensions mm	Description
TRM 0507	0.6 x 1.9	15 x 48	DIN-15 Mounting rail
MIV 5	1.4 x 2	35 x 50	DIN-35 Mounting rail
MR 75003			Selftapping taptite screw M3
MRS 28540	0.4 x 1.7	11 x 42	Mounting foot kit (2 pcs) • incl. screws



# ALU

## ALU 0610

3.9 x 2.6

UL Type 1, 4, 4X, 12 or 13



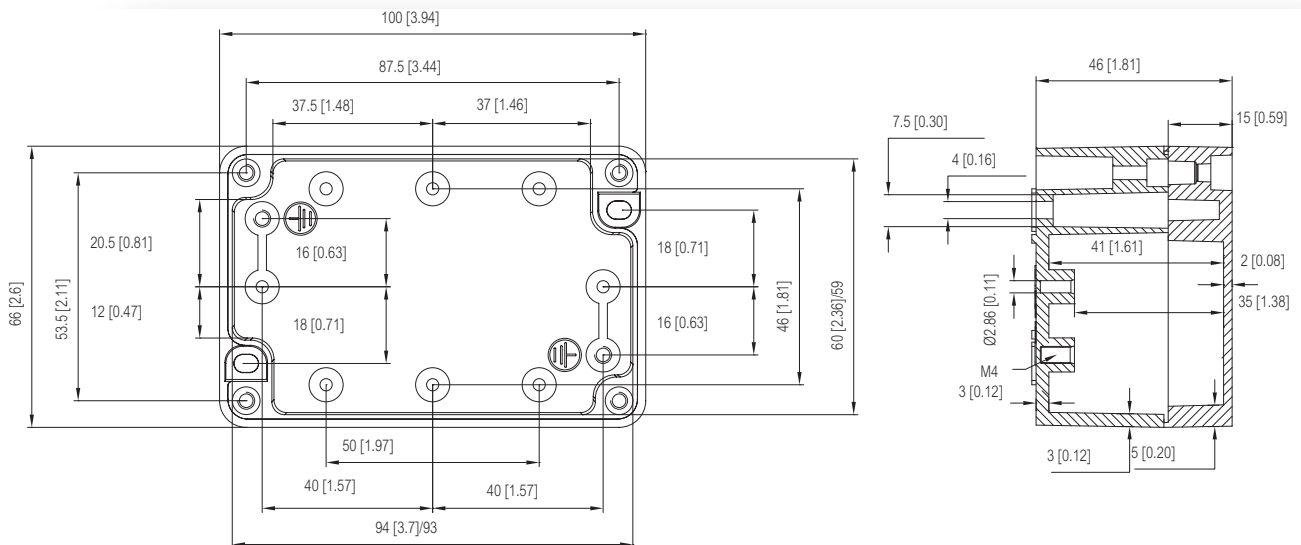
Including: Base with screws for mounting plate/DIN-rail, cover with PUR gasket and ferritic stainless steel cover screws.

### Enclosures

Order symbol	Order symbol UL	Dimensions inch	Dimensions mm	Description
ALN 061005	UL ALN 061005	3.9 x 2.6 x 1.8	100 x 66 x 46	Aluminum enclosure

### Accessories

Order symbol	Dimensions inch	Dimensions mm	Description
ARM 0610	0.6 x 3.5	15 x 88	DIN-15 Mounting rail
MR 75003			Selftapping taptite screw M3
MRS 28540	0.4 x 1.7	11 x 42	Mounting foot kit (2 pcs) ▪ incl. screws





# ALU ALU 0615

6 x 2.6

UL Type 1, 4, 4X, 12 or 13

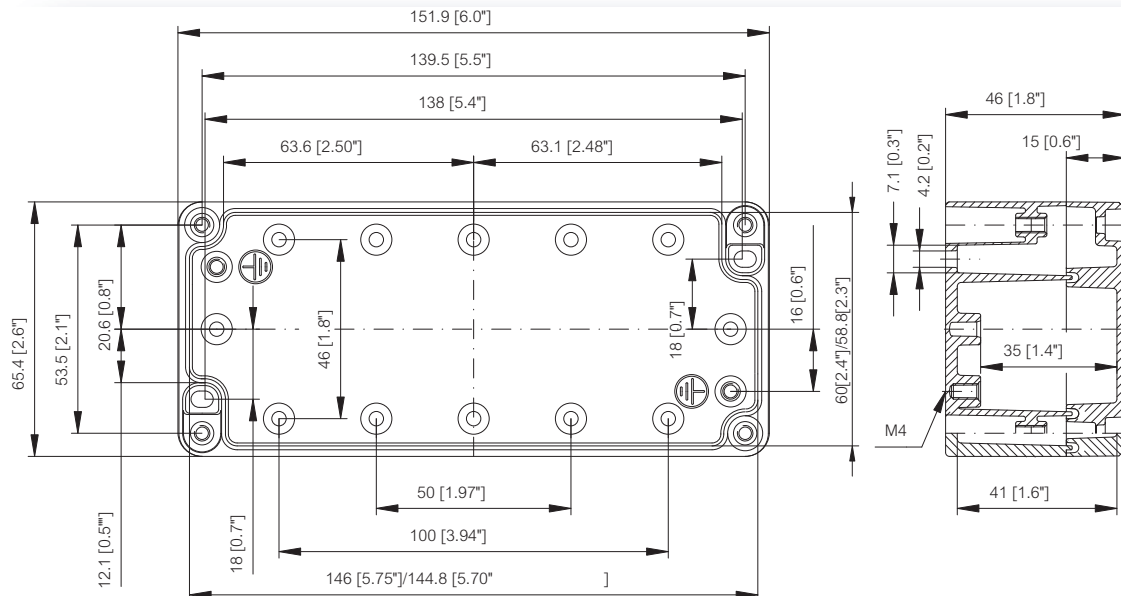
Including: Base with screws for mounting plate/DIN-rail, cover with PUR gasket and ferritic stainless steel cover screws.

## Enclosures

Order symbol	Order symbol UL	Dimensions inch	Dimensions mm	Description
AL 061505	UL AL 061505	6 x 2.6 x 1.8	152 x 66 x 46	Aluminum enclosure

## Accessories

Order symbol	Dimensions inch	Dimensions mm	Description
ARM 0615	0.6 x 5.5	15 x 140	DIN-15 Mounting rail
ARH 16	1.4 x 5.5	35 x 140	DIN-35 Mounting rail
MR 75003			Selftapping taptite screw M3
MRS 28540	0.4 x 1.7	11 x 42	Mounting foot kit (2 pcs) • incl. screws



# ALU

## ALU 0808

3.2 x 3

UL Type 1, 4, 4X, 12 or 13



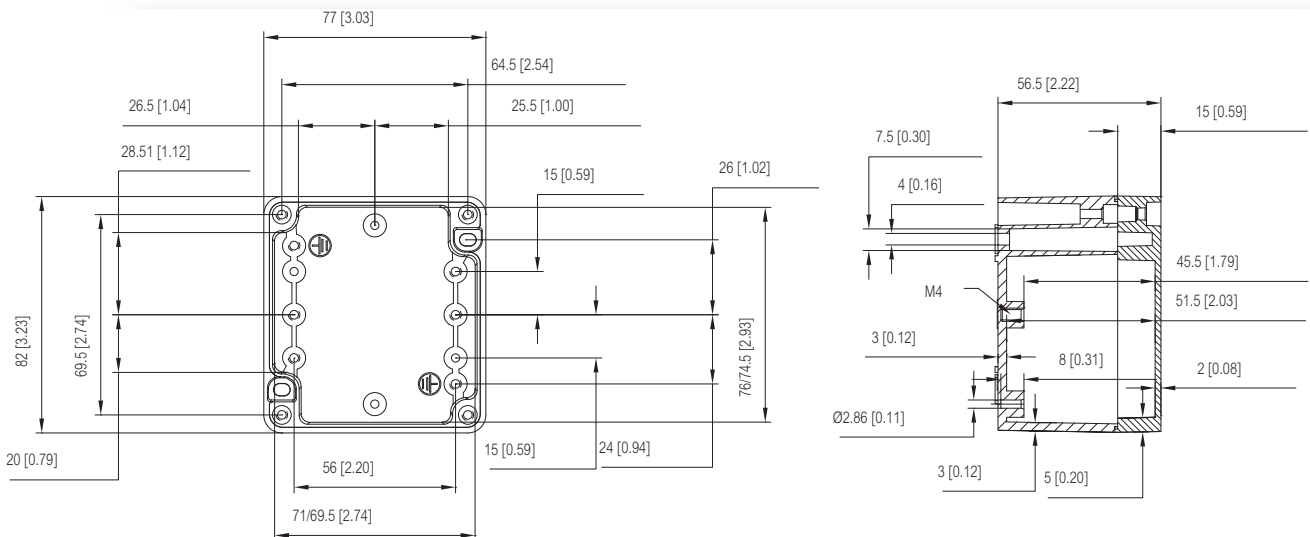
Including: Base with screws for mounting plate/DIN-rail, cover with PUR gasket and ferritic stainless steel cover screws.

### Enclosures

Order symbol	Order symbol UL	Dimensions inch	Dimensions mm	Description
ALN 080806	UL ALN 080806	3.2 x 3 x 2.2	82 x 77 x 57	Aluminum enclosure

### Accessories

Order symbol	Dimensions inch	Dimensions mm	Description
AM 0808	2.7 x 2.5	69 x 64	Back Panel
ARM 0808	0.6 x 2.6	15 x 65	DIN-15 Mounting rail
TRM 0808	0.6 x 2.7	15 x 68	DIN-15 Mounting rail
MR 75003			Selftapping taptite screw M3
MRS 28540	0.4 x 1.7	11 x 42	Mounting foot kit (2 pcs) ▪ incl. screws





# ALU ALU 0813

5 x 3.2

UL Type 1, 4, 4X, 12 or 13

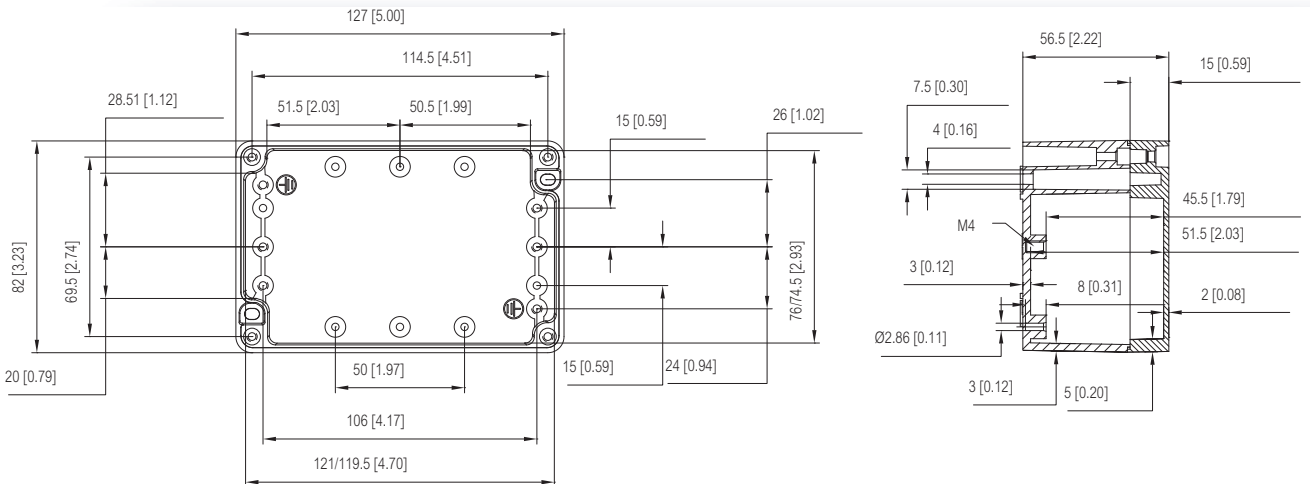
Including: Base with screws for mounting plate/DIN-rail, cover with PUR gasket and ferritic stainless steel cover screws.

## Enclosures

Order symbol	Order symbol UL	Dimensions inch	Dimensions mm	Description
ALN 081306	UL ALN 081306	5 x 3.2 x 2.2	127 x 81 x 57	Aluminum enclosure

## Accessories

Order symbol	Dimensions inch	Dimensions mm	Description
AM 0813	2.7 x 4.5	69 x 114	Back Panel
ARM 0813	0.6 x 4.5	15 x 115	DIN-15 Mounting rail
MR 75003			Selftapping taptite screw M3
MRS 28540	0.4 x 1.7	11 x 42	Mounting foot kit (2 pcs) • incl. screws





# ALU

## ALU 0818

7 x 3.2

UL Type 1, 4, 4X, 12 or 13



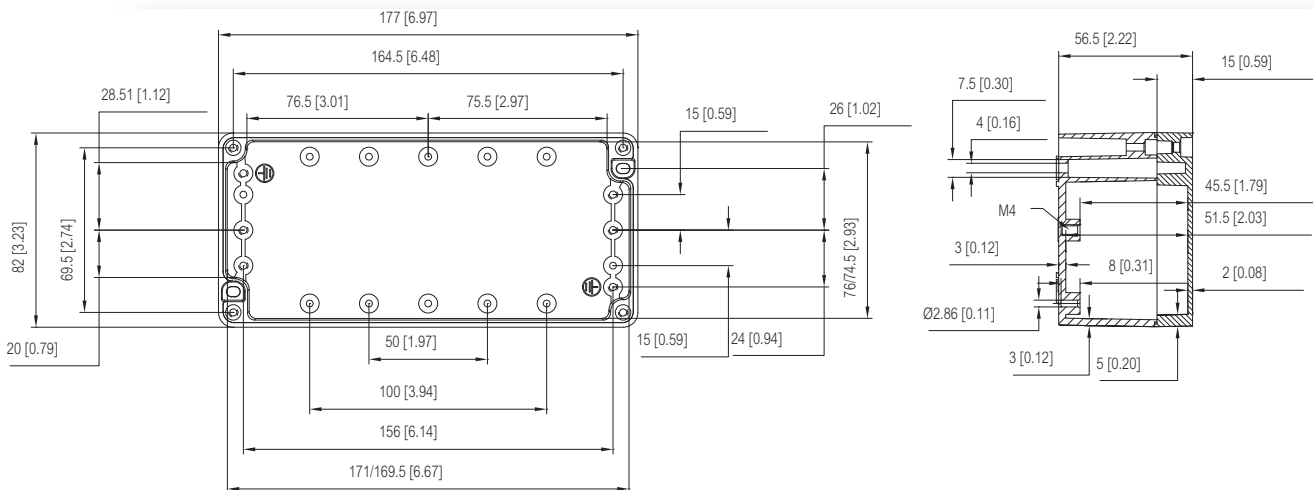
Including: Base with screws for mounting plate/DIN-rail, cover with PUR gasket and ferritic stainless steel cover screws.

### Enclosures

Order symbol	Order symbol UL	Dimensions inch	Dimensions mm	Description
ALN 081806	UL ALN 081806	7 x 3.2 x 2.2	177 x 81 x 57	Aluminum enclosure

### Accessories

Order symbol	Dimensions inch	Dimensions mm	Description
AM 0818	2.7 x 6.5	69 x 164	Back Panel
ARM 0818	0.6 x 6.5	15 x 165	DIN-15 Mounting rail
EKV 12	1.4 x 6.3	35 x 160	DIN-35 Mounting rail
MR 75003			Selftapping taptite screw M3
MRS 28540	0.4 x 1.7	11 x 42	Mounting foot kit (2 pcs) ▪ incl. screws





# ALU ALU 0825

9.9 x 3.2

UL Type 1, 4, 4X, 12 or 13

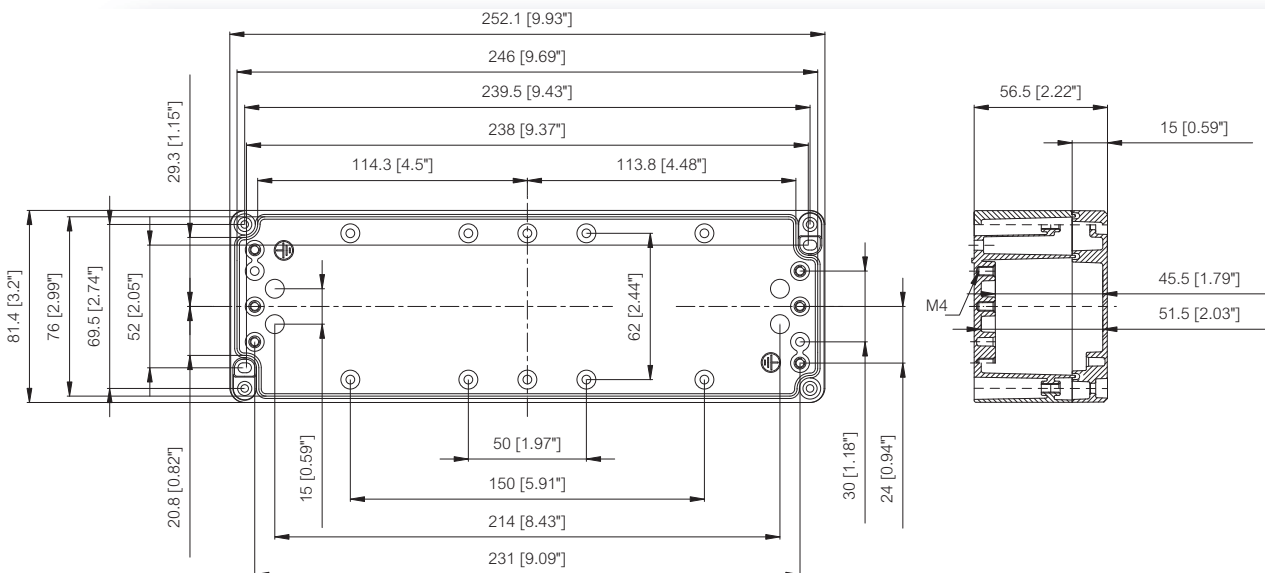
Including: Base with screws for mounting plate/DIN-rail, cover with PUR gasket and ferritic stainless steel cover screws.

## Enclosures

Order symbol	Order symbol UL	Dimensions inch	Dimensions mm	Description
AL 082506	UL AL 082506	9.9 x 3.2 x 2.2	252 x 81 x 57	Aluminum enclosure

## Accessories

Order symbol	Dimensions inch	Dimensions mm	Description
AM 0808	2.7 x 2.5	69 x 64	Back Panel
AM 0813	2.7 x 4.5	69 x 114	Back Panel
AM 0818	2.7 x 6.5	69 x 164	Back Panel
AM 0825	2.7 x 9.4	69 x 240	Back Panel
ARM 0808	0.6 x 2.6	15 x 65	DIN-15 Mounting rail
ARM 0825	0.6 x 9.4	15 x 240	DIN-15 Mounting rail
ARH 26	1.4 x 9.4	35 x 240	DIN-35 Mounting rail
MR 75003			Selftapping taptite screw M3
MRS 28540	0.4 x 1.7	11 x 42	Mounting foot kit (2 pcs) • incl. screws



# ALU ALU 1212

4.9 x 4.9

UL Type 1, 4, 4X, 12 or 13



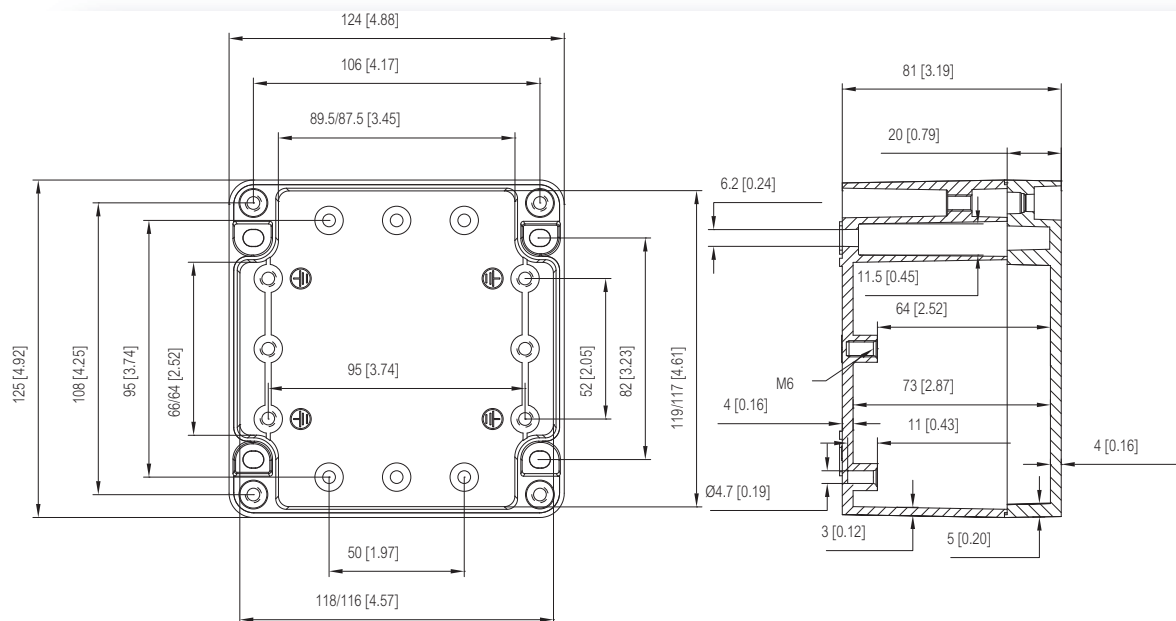
Including: Base with screws for mounting plate/DIN-rail, cover with PUR gasket and ferritic stainless steel cover screws.

## Enclosures

Order symbol	Order symbol UL	Dimensions inch	Dimensions mm	Description
ALN 121208	UL ALN 121208	4.9 x 4.9 x 3.2	125 x 124 x 81	Aluminum enclosure

## Accessories

Order symbol	Dimensions inch	Dimensions mm	Description
AM 1212	4.2 x 4.3	107 x 110	Back Panel
ARH 12	1.4 x 4.1	35 x 105	DIN-35 Mounting rail
MR 75005			Selftapping taptite screw M5
MRS 28541	0.6 x 2	15 x 50	Mounting foot kit (2 pcs) ▪ incl. screws
PH A & AH A/B			Hinge kit ▪ 1 pair includes screws





# ALU ALU 1222

8.7 x 4.9

UL Type 1, 4, 4X, 12 or 13

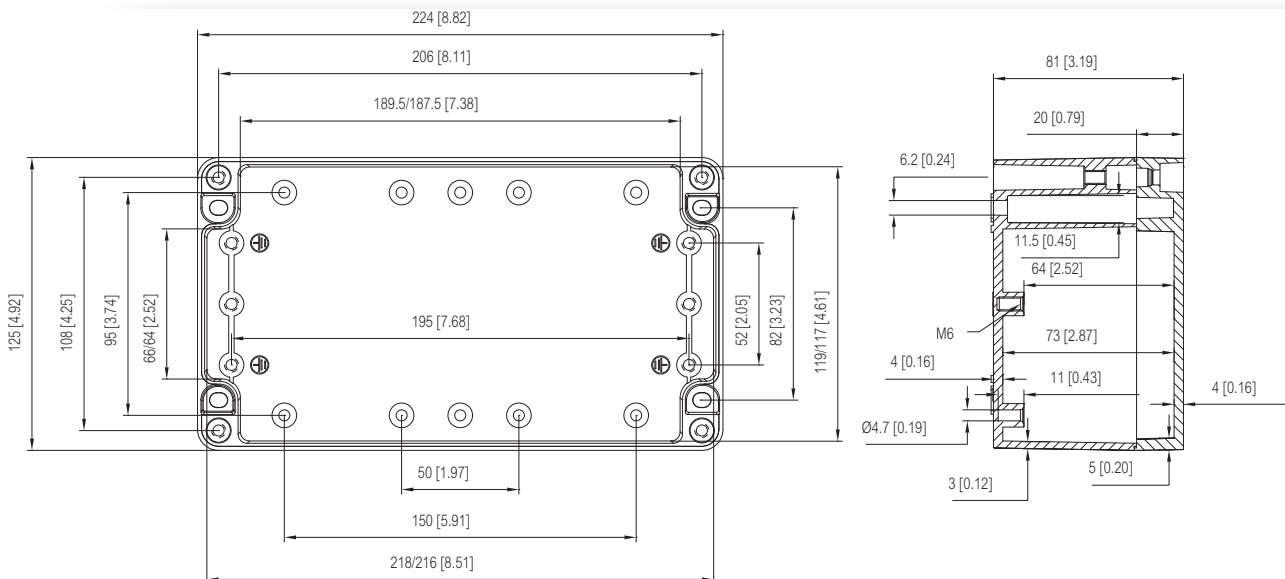
Including: Base with screws for mounting plate/DIN-rail, cover with PUR gasket and ferritic stainless steel cover screws.

## Enclosures

Order symbol	Order symbol UL	Dimensions inch	Dimensions mm	Description
ALN 122208	UL ALN 122208	8.7 x 4.9 x 3.2	222 x 125 x 81	Aluminum enclosure

## Accessories

Order symbol	Dimensions inch	Dimensions mm	Description
AM 1222	4.2 x 8.1	107 x 207	Back Panel
ARH 22	1.4 x 8	35 x 203	DIN-35 Mounting rail
MR 75005			Selftapping taptite screw M5
MRS 28541	0.6 x 2	15 x 50	Mounting foot kit (2 pcs) ▪ incl. screws
PH A & AH A/B			Hinge kit ▪ 1 pair includes screws



# ALU

## ALU 1236

14.3 x 4.9

UL Type 1, 4, 4X, 12 or 13



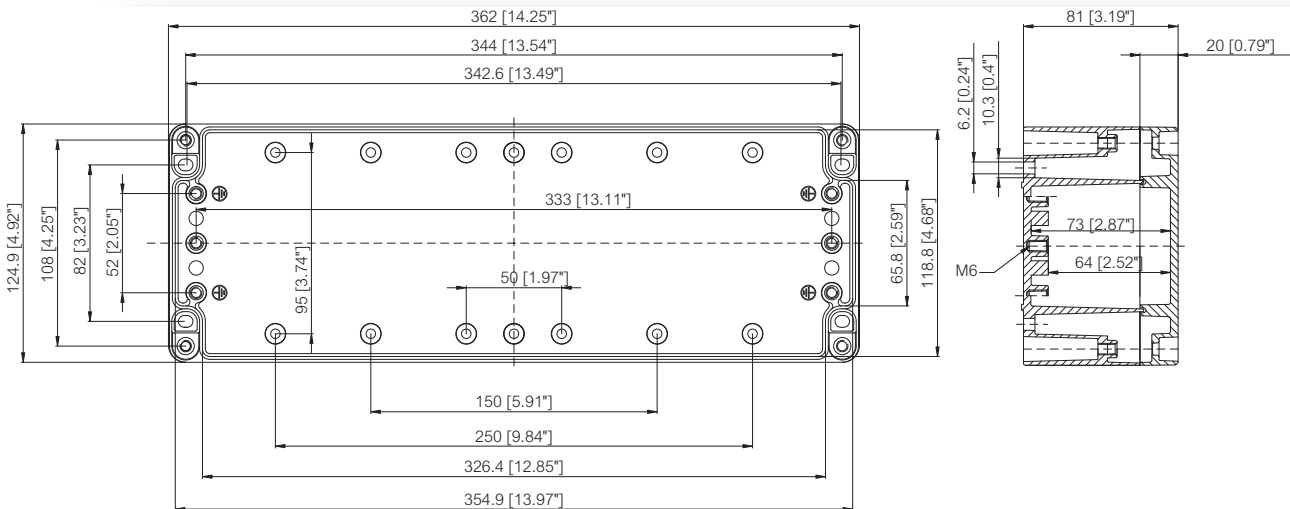
Including: Base with screws for mounting plate/DIN-rail, cover with PUR gasket and ferritic stainless steel cover screws.

### Enclosures

Order symbol	Order symbol UL	Dimensions inch	Dimensions mm	Description
AL 123608	UL AL 123608	14.3 x 4.9 x 3.2	362 x 125 x 81	Aluminum enclosure

### Accessories

Order symbol	Dimensions inch	Dimensions mm	Description
AM 1212	4.2 x 4.3	107 x 110	Back Panel
AM 1222	4.2 x 8.1	107 x 207	Back Panel
AM 1236	4.2 x 13.7	107 x 347	Back Panel
ARH 12	1.4 x 4.1	35 x 105	DIN-35 Mounting rail
ARH 36	1.4 x 13.5	35 x 343	DIN-35 Mounting rail
MR 75005			Selftapping taptite screw M5
MRS 28541	0.6 x 2	15 x 50	Mounting foot kit (2 pcs) • incl. screws
PH A & AH A/B			Hinge kit • 1 pair includes screws





# ALU ALU 1616

6.4 x 6.4

UL Type 1, 4, 4X, 12 or 13

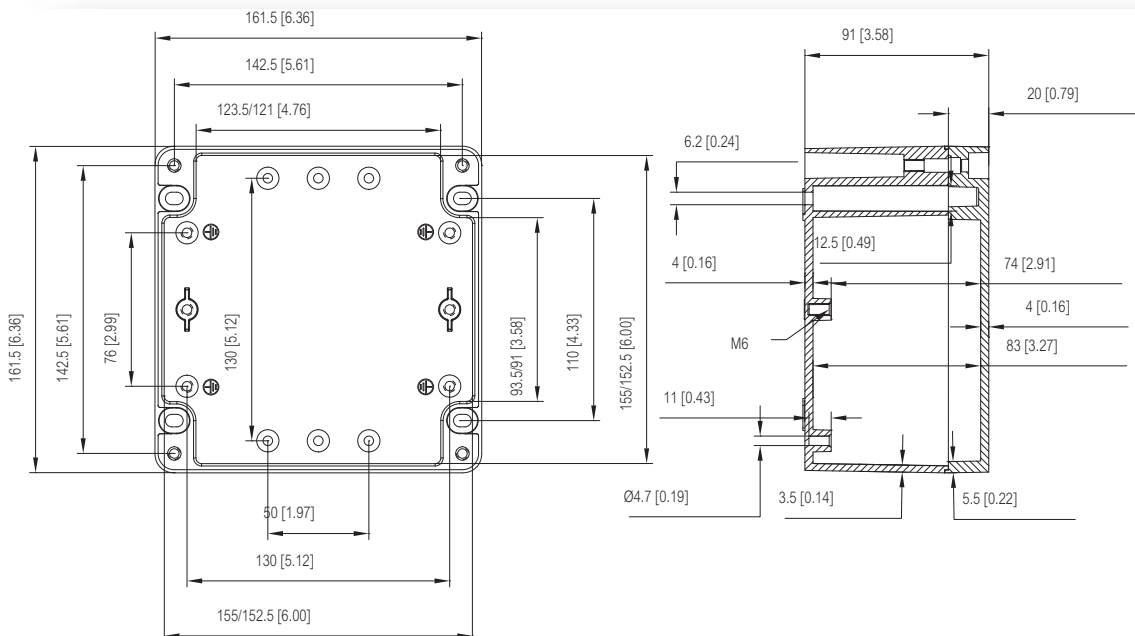
Including: Base with screws for mounting plate/DIN-rail, cover with PUR gasket and ferritic stainless steel cover screws.

## Enclosures

Order symbol	Order symbol UL	Dimensions inch	Dimensions mm	Description
ALN 161609	UL ALN 161609	6.4 x 6.4 x 3.6	163 x 162 x 91	Aluminum enclosure

## Accessories

Order symbol	Dimensions inch	Dimensions mm	Description
AM 1616	5.7 x 5.7	146 x 146	Back Panel
ARM 0615	0.6 x 5.5	15 x 140	DIN-15 Mounting rail
ARH 16	1.4 x 5.5	35 x 140	DIN-35 Mounting rail
MR 75005			Selftapping taptite screw M5
MRS 28541	0.6 x 2	15 x 50	Mounting foot kit (2 pcs) • incl. screws
PH A & AH A/B			Hinge kit • 1 pair includes screws



# ALU

## ALU 1626

10.4 x 6.4

UL Type 1, 4, 4X, 12 or 13



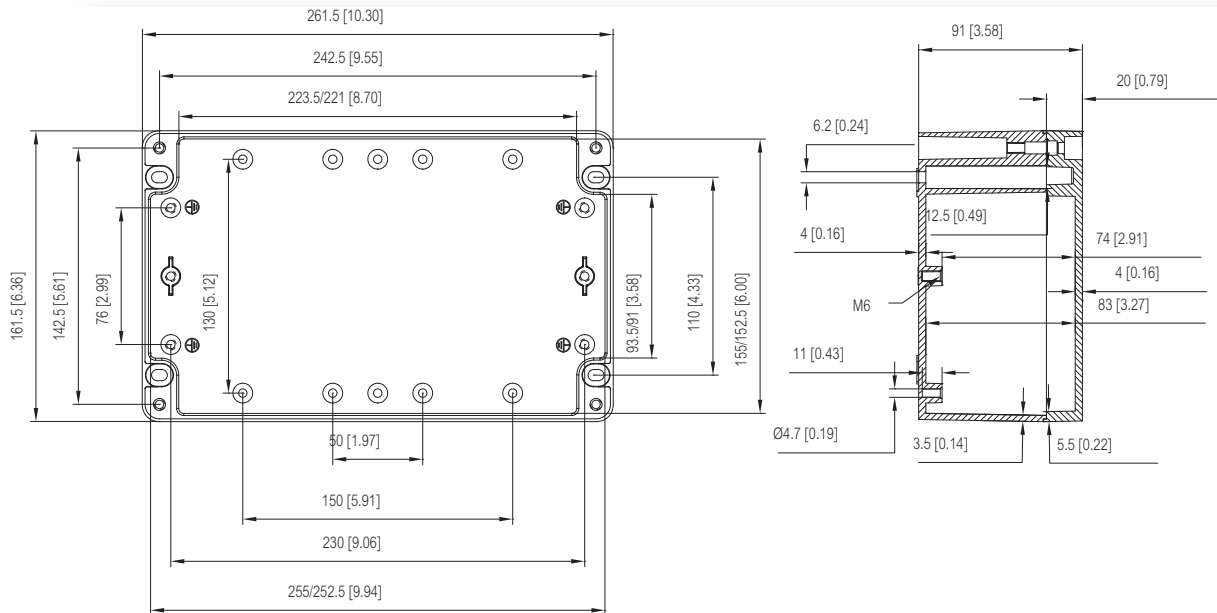
Including: Base with screws for mounting plate/DIN-rail, cover with PUR gasket and ferritic stainless steel cover screws.

### Enclosures

Order symbol	Order symbol UL	Dimensions inch	Dimensions mm	Description
ALN 162609	UL ALN 162609	10.4 x 6.4 x 3.6	263 x 162 x 91	Aluminum enclosure

### Accessories

Order symbol	Dimensions inch	Dimensions mm	Description
AM 1626	5.7 x 9.6	146 x 244	Back Panel
ARM 0825	0.6 x 9.4	15 x 240	DIN-15 Mounting rail
ARH 26	1.4 x 9.4	35 x 240	DIN-35 Mounting rail
MR 75005			Selftapping taptite screw M5
MRS 28541	0.6 x 2	15 x 50	Mounting foot kit (2 pcs) ▪ incl. screws
PHA & AH A/B			Hinge kit ▪ 1 pair includes screws





# ALU ALU 1636

14.2 x 6.3

UL Type 1, 4, 4X, 12 or 13

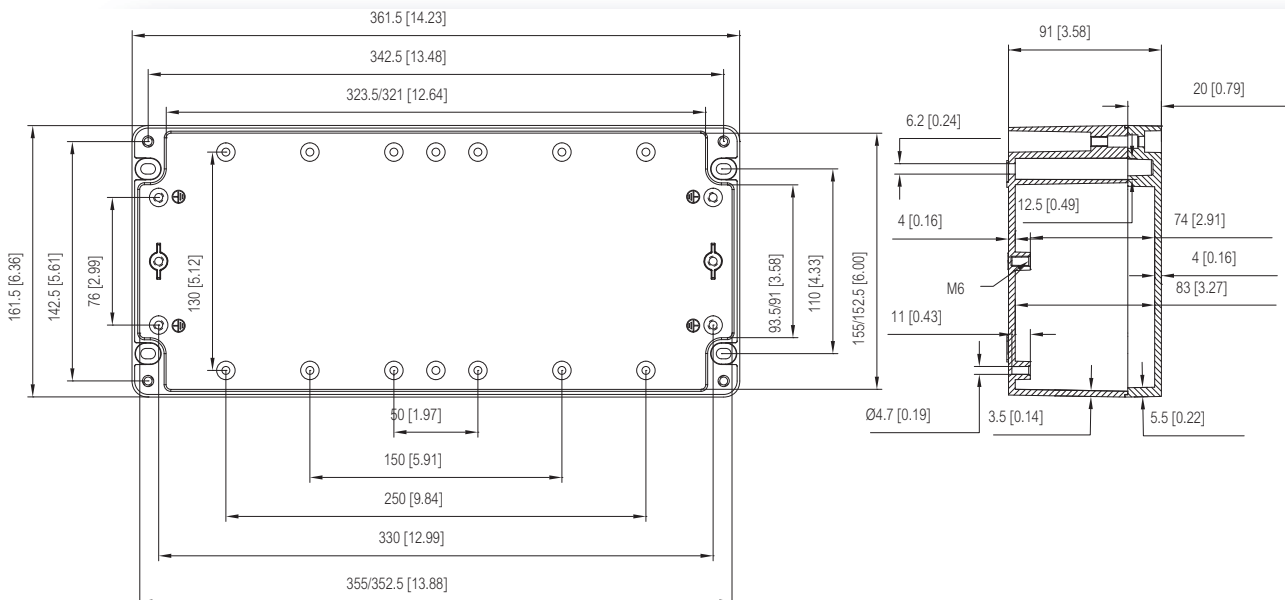
Including: Base with screws for mounting plate/DIN-rail, cover with neoprene gasket and stainless steel cover screws.

## Enclosures

Order symbol	Order symbol UL	Dimensions inch	Dimensions mm	Description
ALN 163609	UL ALN 163609	14.2 x 6.3 x 3.5	360 x 160 x 90	Aluminum enclosure

## Accessories

Order symbol	Dimensions inch	Dimensions mm	Description
AM 1636	5.7 x 13.6	146 x 346	Back Panel
ARH 1636	1.4 x 13.4	35 x 340	DIN-35 Mounting rail
MRS 28541	0.6 x 2	15 x 50	Mounting foot kit (2 pcs) • incl. screws
PH A & AH A/B			Hinge kit • 1 pair includes screws





# ALU

## ALU 1656

22 x 6.3

UL Type 1, 4, 4X, 12 or 13



Including: Base with screws for mounting plate/DIN-rail, cover with neoprene gasket and stainless steel cover screws.

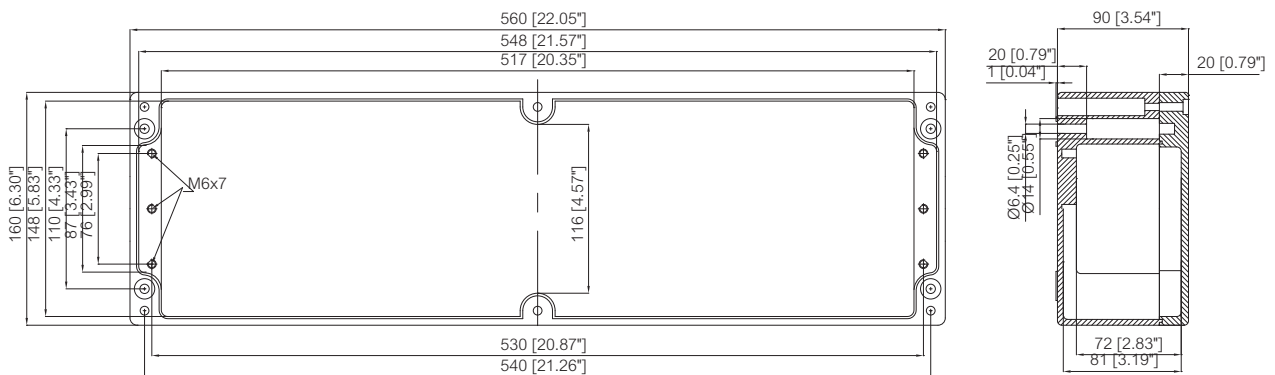
### Enclosures

Order symbol	Order symbol UL	Dimensions inch	Dimensions mm	Description
AL 165609	UL AL 165609	22 x 6.3 x 3.5	560 x 160 x 90	Aluminum enclosure

### Accessories

Order symbol	Dimensions inch	Dimensions mm	Description
AM 1656	5.7 x 21.5	146 x 545	Back Panel
ARH 1656	1.4 x 21.3	35 x 540	DIN-35 Mounting rail
MRS 28541	0.6 x 2	15 x 50	Mounting foot kit (2 pcs) • incl. screws
PH A & AH A/B			Hinge kit • 1 pair includes screws

FIBOX Aluminium AL 165609





# ALU ALU 2320

9.1 x 7.9

UL Type 1, 4, 4X, 12 or 13

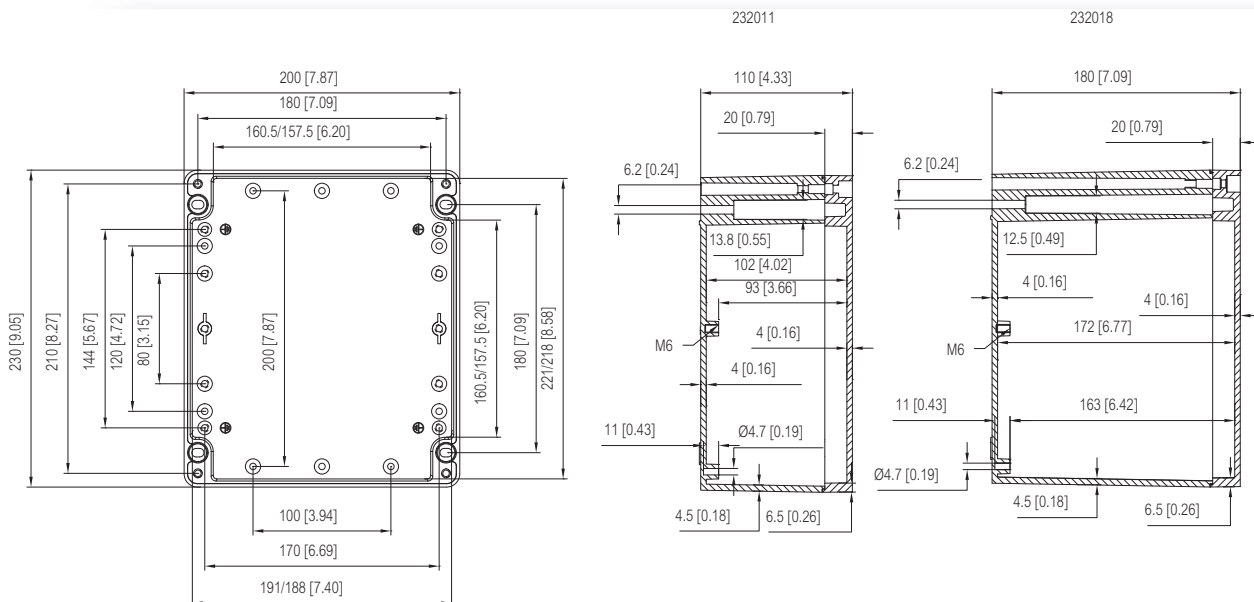
Including: Base with screws for mounting plate/DIN-rail, cover with neoprene gasket and stainless steel cover screws.

## Enclosures

Order symbol	Order symbol UL	Dimensions inch	Dimensions mm	Description
AL 232018	UL AL 232018	9.1 x 7.9 x 7.1	230 x 200 x 180	Aluminum enclosure
ALN 232011	UL ALN 232011	9.1 x 7.9 x 4.3	230 x 200 x 110	Aluminum enclosure

## Accessories

Order symbol	Dimensions inch	Dimensions mm	Description
AM 2320	8.5 x 7.2	215 x 184	Back Panel
ARH 2320	1.4 x 7.1	35 x 180	DIN-35 Mounting rail
MRS 28541	0.6 x 2	15 x 50	Mounting foot kit (2 pcs) • incl. screws
PH A & AH A/B			Hinge kit • 1 pair includes screws



# ALU

## ALU 2328

11 x 9.1

UL Type 1, 4, 4X, 12 or 13



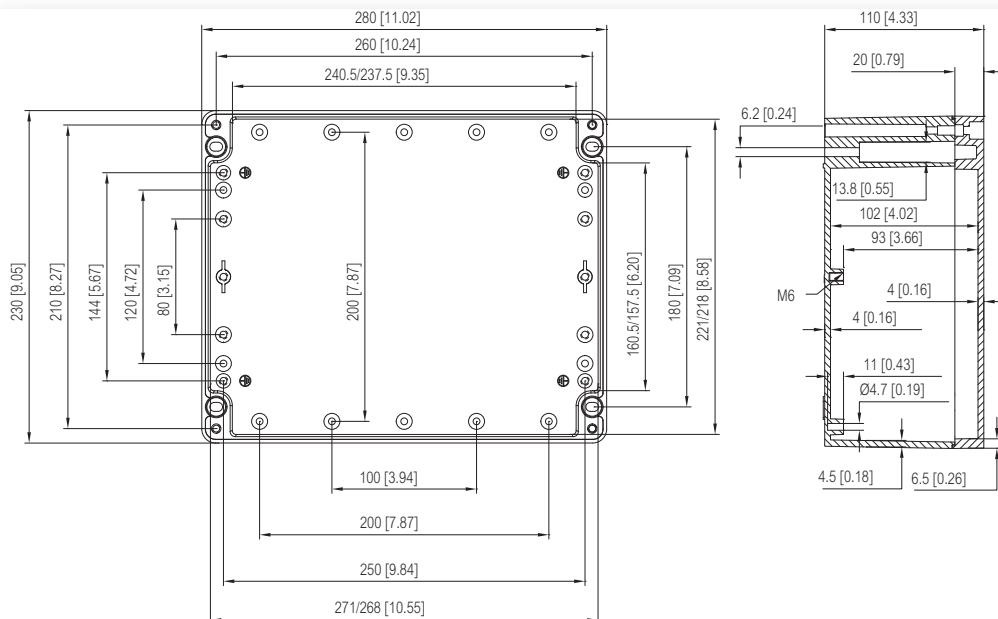
Including: Base with screws for mounting plate/DIN-rail, cover with neoprene gasket and stainless steel cover screws.

### Enclosures

Order symbol	Order symbol UL	Dimensions inch	Dimensions mm	Description
ALN 232811	UL ALN 232811	11 x 9.1 x 4.3	280 x 230 x 110	Aluminum enclosure

### Accessories

Order symbol	Dimensions inch	Dimensions mm	Description
AM 2328	8.5 x 10.4	215 x 264	Back Panel
ARH 2328	1.4 x 10.2	35 x 260	DIN-35 Mounting rail
MRS 28541	0.6 x 2	15 x 50	Mounting foot kit (2 pcs) • incl. screws
PH A & AH A/B			Hinge kit • 1 pair includes screws





# ALU ALU 2333

13 x 9.1

UL Type 1, 4, 4X, 12 or 13

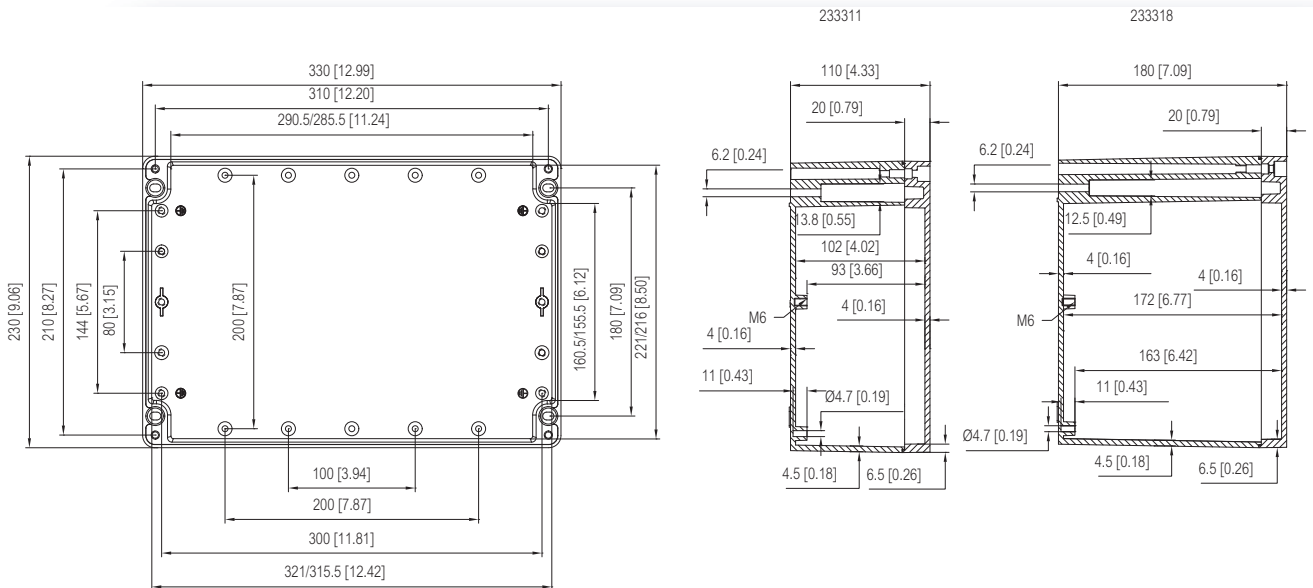
Including: Base with screws for mounting plate/DIN-rail, cover with neoprene gasket and stainless steel cover screws.

## Enclosures

Order symbol	Order symbol UL	Dimensions inch	Dimensions mm	Description
ALN 233311	UL ALN 233311	13 x 9.1 x 4.3	330 x 230 x 110	Aluminum enclosure
ALN 233318	UL ALN 233318	13 x 9.1 x 7.1	330 x 230 x 180	Aluminum enclosure

## Accessories

Order symbol	Dimensions inch	Dimensions mm	Description
AM 2333	8.5 x 12.4	215 x 315	Back Panel
ARH 2333	1.4 x 12.2	35 x 310	DIN-35 Mounting rail
MRS 28541	0.6 x 2	15 x 50	Mounting foot kit (2 pcs) • incl. screws
PH A & AH A/B			Hinge kit • 1 pair includes screws



# ALU

## ALU 2340

15.8 x 9.1

UL Type 1, 4, 4X, 12 or 13



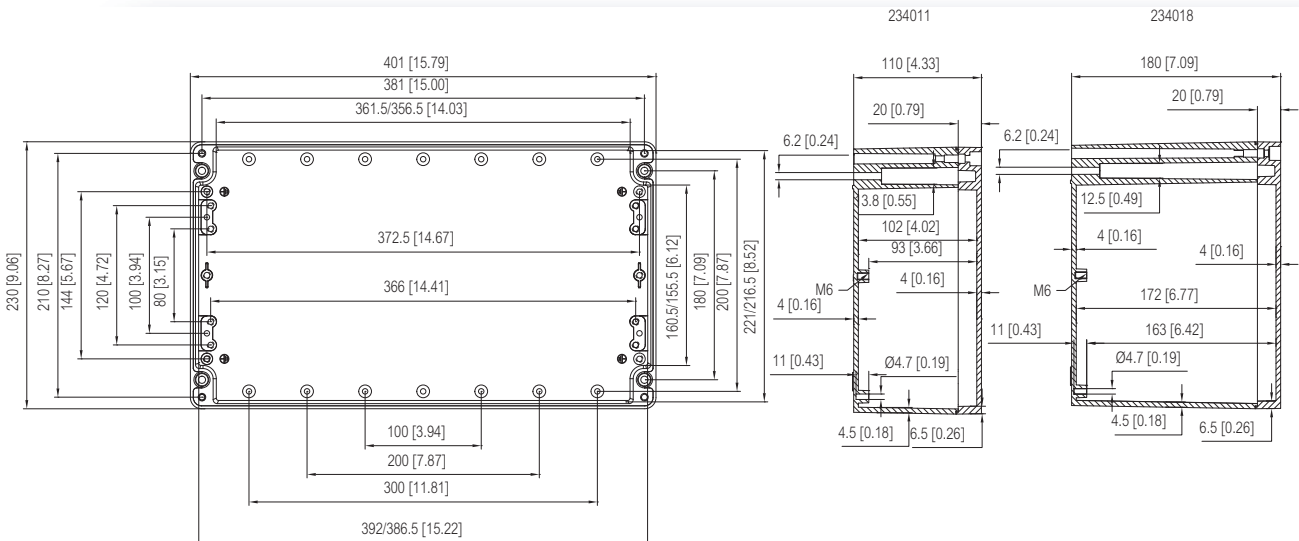
Including: Base with screws for mounting plate/DIN-rail, cover with neoprene gasket and stainless steel cover screws.

### Enclosures

Order symbol	Order symbol UL	Dimensions inch	Dimensions mm	Description
AL 234011	UL AL 234011	15.8 x 9.1 x 4.3	401 x 230 x 110	Aluminum enclosure
ALN 234018	UL ALN 234018	15.8 x 9.1 x 7.1	401 x 230 x 180	Aluminum enclosure

### Accessories

Order symbol	Dimensions inch	Dimensions mm	Description
AM 2340	8.5 x 15.2	215 x 385	Back Panel
ARH 40	1.4 x 15.1	35 x 383	DIN-35 Mounting rail
MRS 28541	0.6 x 2	15 x 50	Mounting foot kit (2 pcs) • incl. screws
PH A & AH A/B			Hinge kit • 1 pair includes screws





# ALU ALU 2360

23.6 x 9.1

UL Type 1, 4, 4X, 12 or 13

Including: Base with screws for mounting plate/DIN-rail, cover with neoprene gasket and stainless steel cover screws.

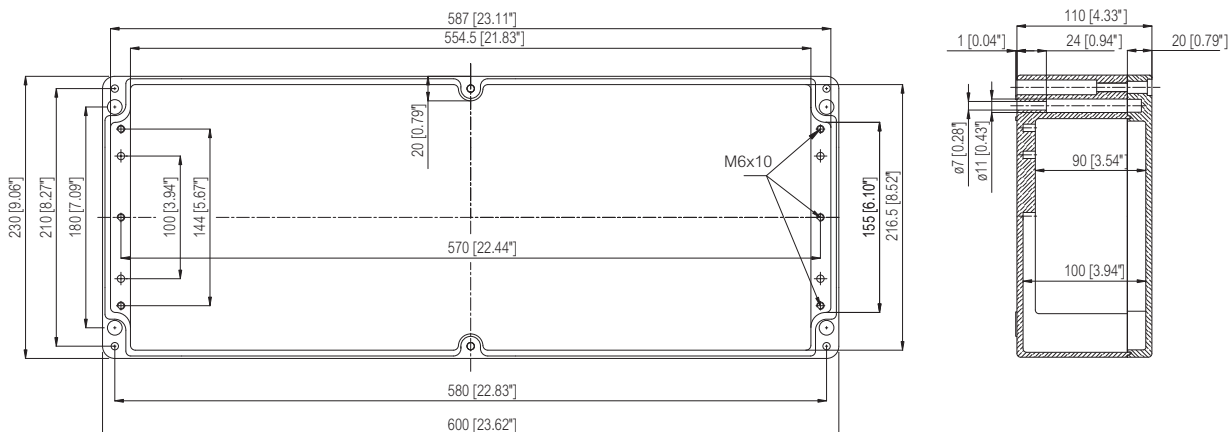
## Enclosures

Order symbol	Order symbol UL	Dimensions inch	Dimensions mm	Description
AL 236011	UL AL 236011	23.6 x 9.1 x 4.3	600 x 230 x 110	Aluminum enclosure

## Accessories

Order symbol	Dimensions inch	Dimensions mm	Description
AM 2360	8.5 x 23.1	215 x 586	Back Panel
ARH 60	1.4 x 22.8	35 x 580	DIN-35 Mounting rail
MRS 28541	0.6 x 2	15 x 50	Mounting foot kit (2 pcs) • incl. screws
PH A & AH A/B			Hinge kit • 1 pair includes screws

FIBOX ALUMINIUM AL 236011



# ALU

## ALU 3140

15.9 x 12.2

UL Type 1, 4, 4X, 12 or 13



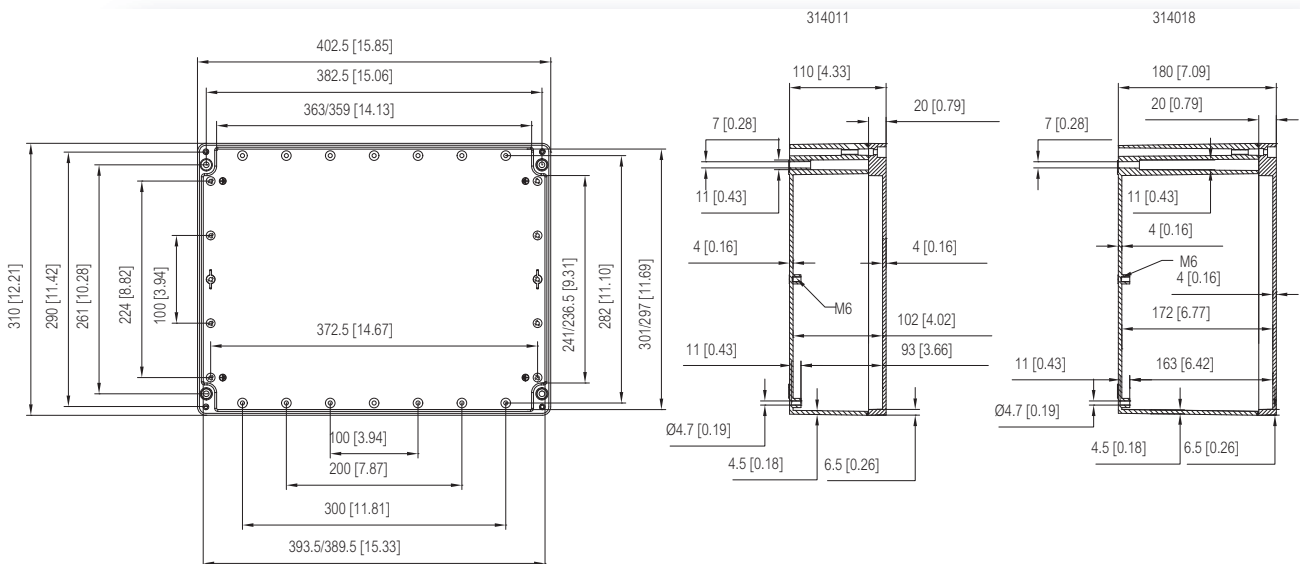
Including: Base with screws for mounting plate/DIN-rail, cover with neoprene gasket and stainless steel cover screws.

### Enclosures

Order symbol	Order symbol UL	Dimensions inch	Dimensions mm	Description
AL 314011	UL AL 314011	15.9 x 12.2 x 4.3	403 x 310 x 110	Aluminum enclosure
ALN 314018	UL ALN 314018	15.9 x 12.2 x 7.1	403 x 310 x 180	Aluminum enclosure

### Accessories

Order symbol	Dimensions inch	Dimensions mm	Description
AM 3140	11.6 x 15.2	294 x 387	Back Panel
ARH 40	1.4 x 15.1	35 x 383	DIN-35 Mounting rail
MRS 28541	0.6 x 2	15 x 50	Mounting foot kit (2 pcs) • incl. screws
PH A & AH A/B			Hinge kit • 1 pair includes screws





# ALU

## ALU 3160

23.6 x 12.2

UL Type 1, 4, 4X, 12 or 13

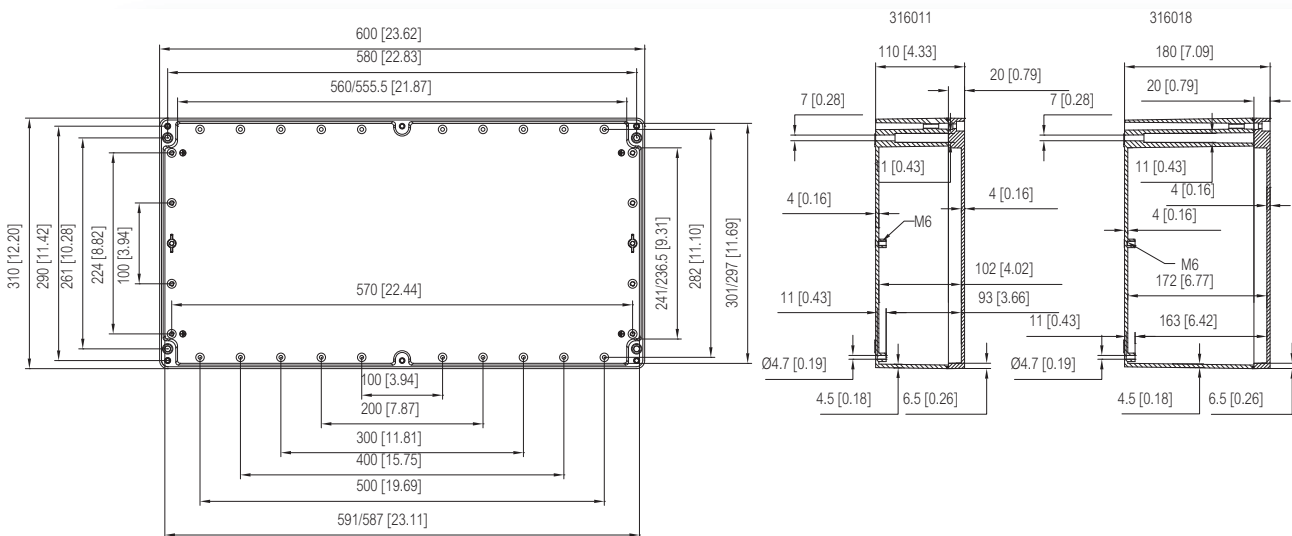
Including: Base with screws for mounting plate/DIN-rail, cover with neoprene gasket and stainless steel cover screws.

### Enclosures

Order symbol	Order symbol UL	Dimensions inch	Dimensions mm	Description
ALN 316011	UL ALN 316011	23.6 x 12.2 x 4.3	600 x 310 x 110	Aluminum enclosure
ALN 316018	UL ALN 316018	23.6 x 12.2 x 7.1	600 x 310 x 180	Aluminum enclosure

### Accessories

Order symbol	Dimensions inch	Dimensions mm	Description
AM 3160	11.5 x 23	293 x 585	Back Panel
ARH 60	1.4 x 22.8	35 x 580	DIN-35 Mounting rail
MRS 28541	0.6 x 2	15 x 50	Mounting foot kit (2 pcs) • incl. screws
PH A & AH A/B			Hinge kit • 1 pair includes screws





## ALU ACCESSORIES

Order symbol      Description

### Mounting plates (Galvanized steel, sheet thickness 1,5 mm)

AM 0808	2.7 x 2.5 inch • 69 x 64 mm
AM 0813	2.7 x 4.5 inch • 69 x 114 mm
AM 0818	2.7 x 6.5 inch • 69 x 164 mm
AM 0825	2.7 x 9.4 inch • 69 x 240 mm
AM 1212	4.2 x 4.3 inch • 107 x 110 mm
AM 1222	4.2 x 8.1 inch • 107 x 207 mm
AM 1236	4.2 x 13.7 inch • 107 x 347 mm
AM 1616	5.7 x 5.7 inch • 146 x 146 mm
AM 1626	5.7 x 9.6 inch • 146 x 244 mm
AM 1636	5.7 x 13.6 inch • 146 x 346 mm
AM 1656	5.7 x 21.5 inch • 146 x 545 mm
AM 2320	8.5 x 7.2 inch • 215 x 184 mm
AM 2328	8.5 x 10.4 inch • 215 x 264 mm
AM 2333	8.5 x 12.4 inch • 215 x 315 mm
AM 2340	8.5 x 15.2 inch • 215 x 385 mm
AM 2360	8.5 x 23.1 inch • 215 x 586 mm
AM 3140	11.6 x 15.2 inch • 294 x 387 mm
AM 3160	11.5 x 23 inch • 293 x 585 mm

### DIN-15 Mounting rails (Galvanized steel, rail height 5,0 mm)

ARM 0808	0.6 x 2.6 inch • 15 x 65 mm
ARM 0610	0.6 x 3.5 inch • 15 x 88 mm
ARM 0813	0.6 x 4.5 inch • 15 x 115 mm
ARM 0615	0.6 x 5.5 inch • 15 x 140 mm
ARM 0818	0.6 x 6.5 inch • 15 x 165 mm
ARM 0825	0.6 x 9.4 inch • 15 x 240 mm

### DIN-35 Mounting rails (Galvanized steel, rail height 7,5 mm)

ARH 12	1.4 x 4.1 inch • 35 x 105 mm
ARH 16	1.4 x 5.5 inch • 35 x 140 mm
ARH 2320	1.4 x 7.1 inch • 35 x 180 mm
ARH 22	1.4 x 8 inch • 35 x 203 mm
ARH 26	1.4 x 9.4 inch • 35 x 240 mm
ARH 2328	1.4 x 10.2 inch • 35 x 260 mm
ARH 2333	1.4 x 12.2 inch • 35 x 310 mm
ARH 1636	1.4 x 13.4 inch • 35 x 340 mm
ARH 36	1.4 x 13.5 inch • 35 x 343 mm
ARH 40	1.4 x 15.1 inch • 35 x 383 mm
ARH 1656	1.4 x 21.3 inch • 35 x 540 mm
ARH 60	1.4 x 22.8 inch • 35 x 580 mm

### Hinges and wall mounting

PH A & AH A/B	Hinge kit • 1 pair includes screws
MRS 28545WH	Wire hinge • one pair with screw, M6x30
MRS 28540	Mounting foot kit (2 pcs) • incl. screws
MRS 28541	Mounting foot kit (2 pcs) • incl. screws

### Cover screws

MR 10425	Cover screw M4
MR 10635	Cover screw M6

### Mounting and earth screws

MR 28548ZN	Mounting screw M4x6
MR 28549ZN	Mounting screw M6x8
MR 75003	Selftapping taptite screw M3
MR 75005	Selftapping taptite screw M5
MR 28550	Ground screw • for AL 050503
MR 28546CU	Ground screw • for small AL-enclosures up to 0825
MR 28547CU	Ground screw • for big AL-enclosures from 1212
MRS 28546	Ground screw kit (2 pcs)
MRS 38546	Screw kit for small AL-enclosures up to 0825 • incl. 2 ground and 4 mounting screws
MRS 38547	Screw kit for big AL-enclosures from 1212 • incl. 2 ground and 4 mounting screws



## ALU technical information

Property	Aluminium
Ingress Protection (EN 60529)	IP 66/IP 67
Impact Resistance (EN 62262)	IK 08
Température Range Celsius	-50° . . .140°C
(short term) Fahrenheit	-60 . . . 285°F
Température Range Celsius	-50° . . .80°C
(continuous) Fahrenheit	-60° . . .175°F
Polyester powder paint colour	RAL 7001
Cover Screws (0505 - 1626)	Ferritic Stainless Steel
Cover Screws (1636 - 3160)	Stainless steel
Gasket	PUR
Chemical Resistance *	Good

### Confirmity to standards

**USA** Enclosures for Electrical Equipment  
UL Type 1, 4, 4X, 12 or 13; UL File E75645 Vol 1 Sec 6

**Canada** Industrial Control Equipment  
Enclosures for Electrical Equipment/ULc

**Europe** Empty enclosures for low-voltage switchgear and controlgear assemblies EN 62208:2003 (50298:1998)

**Europe** Safety of Information Technology Equipment EN 60950

**RoHS** directive 2002/95/EC

Data subject to change without notice.

\*Consult separate raw material data for more detailed information